

BY

INTERCITY LUMBER

5301 Causeway Blvd.

Tampa, Fl. 33619

(813) 626-5232

PLEASE NOTE

The profiles shown in our catalog are ones for which we have already produced the cutting knives. If you do not find what is needed, we can custom grind profiles to fit your specific needs. For information and pricing, please call our office at (813) 626-8373 or (813) 626-5232 or contact your Intercity Lumber salesperson.

For each profile you want priced, please specify the wood species and linear footage. The profiles are available in most domestic and imported wood species. Custom mouldings are normally furnished in random lengths for maximum utilization, but specific lengths can also be requested for an additional charge.

IMPORTANT CONSIDERATIONS WHEN ORDERING:

- 1 Please specify profile number, wood species, and quantity.
- 2 Mouldings will be furnished in random lengths (normally 6 to 16 foot pieces) unless specific lengths are requested, with an additional charge.
- 3 Please ensure that an adequate waste factor has been included for lineal-foot orders. We recommend a 10-15% waste factor for job site waste, minor defects and the occasional knot hole. Although we start with the best available grade of lumber and try to minimize the amount of natural defects in the finished product there will still be a small amount of natural defects. Each natural defect will be considered a minor defect which can be cut out of moulding by crosscutting at the job site. We do not consider an entire length of moulding unusable because of a natural defect which can be cut out.
- 4 If a finished moulding order with no knots or natural defects in the wood is desired, it must be ordered that way by specifying that a 100% "CLEAR" order is needed when placing an order. The order will be priced accordingly by us and guaranteed to have no knots or natural defects.
- 5 We cannot guarantee a certain type of grain in the wood or the color of the grain.
- 6 Prices quoted are for the specified quantities. Ordering or reordering for smaller quantities may result in higher prices.
- 7 Order changes or cancellation cannot be accepted after production has commenced.
- 8 Please request to view a moulding sample if a high degree of accuracy is needed. These illustrations are for demonstrative use only and may be slightly different than the actual wood moulding.

CROWN MOULDINGS

CUSTOM MOULDINGS

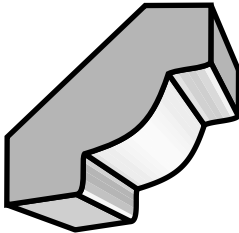
BY

INTERCITY LUMBER

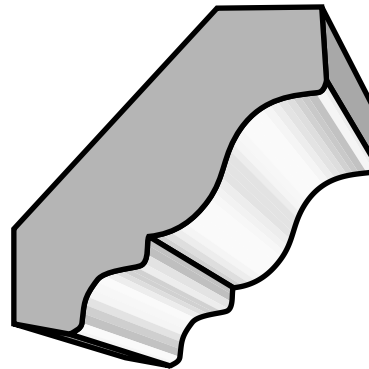
5301 Causeway Blvd.

Tampa, Fl. 33619

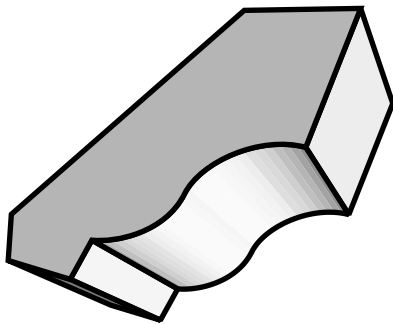
(813) 626-5232



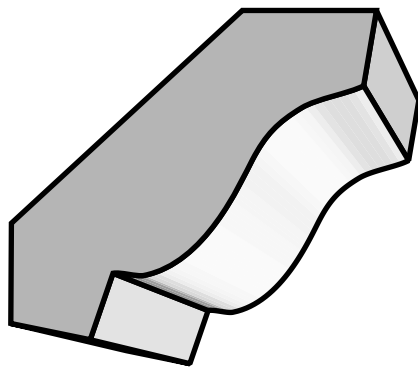
I500
1/2" x 1-1/2"



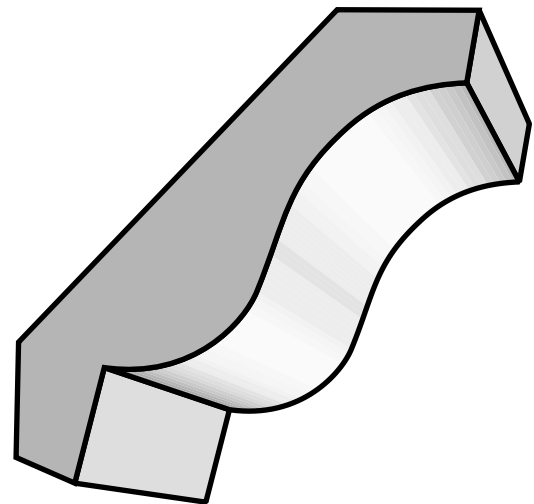
I502
5/8" x 2-1/4"



I501
11/16" x 2-1/4"



I505
11/16" x 2-1/2"



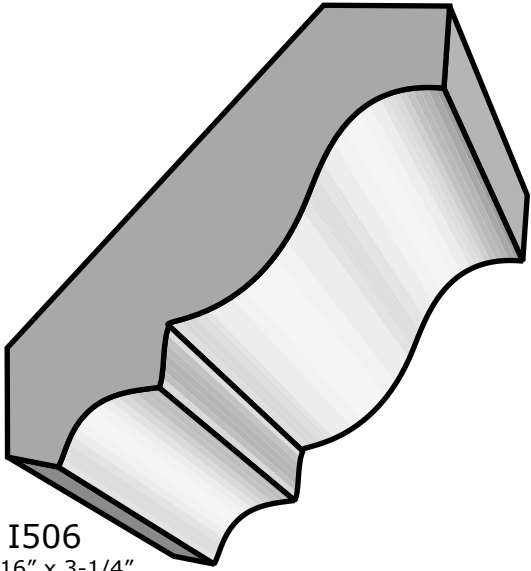
I504
11/16" x 3-1/4"

CROWN MOULDINGS

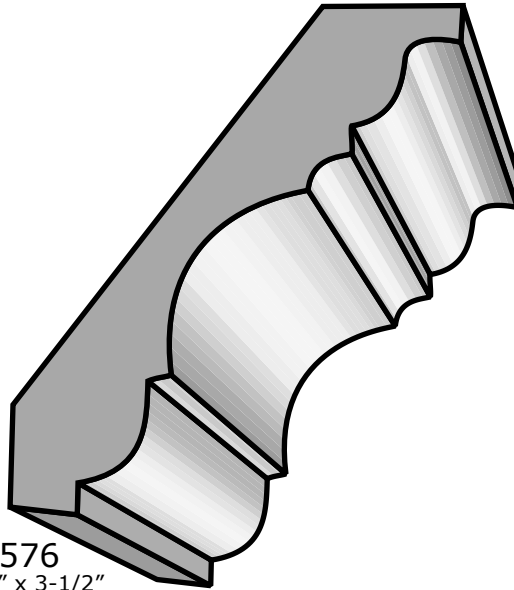
CUSTOM MOULDINGS

BY
INTERCITY LUMBER

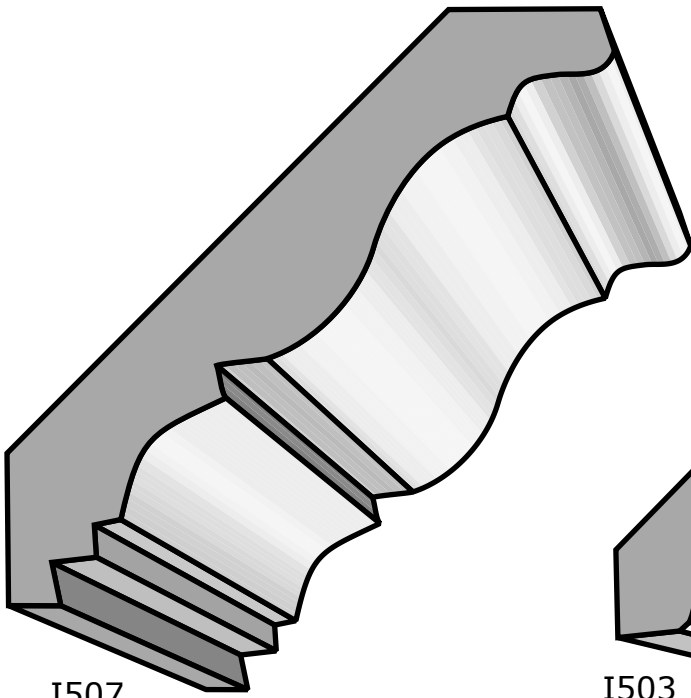
5301 Causeway Blvd.
Tampa, Fl. 33619
(813) 626-5232



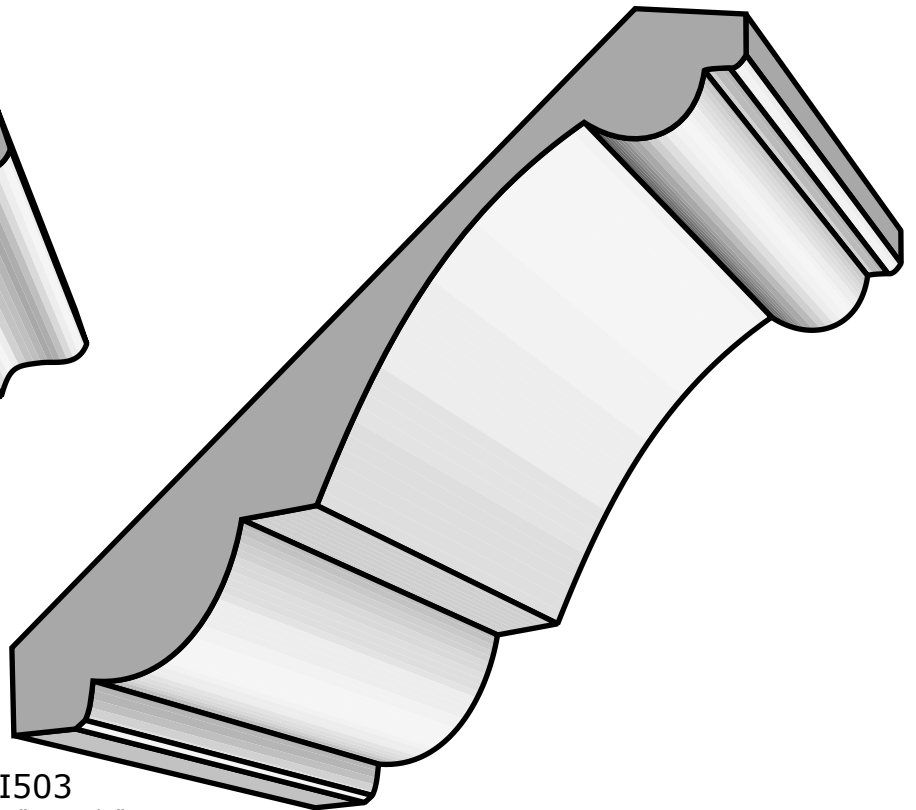
I506
11/16" x 3-1/4"



I576
3/4" x 3-1/2"
STOCKED IN PAINT GRADE



I507
11/16" x 4-3/8"



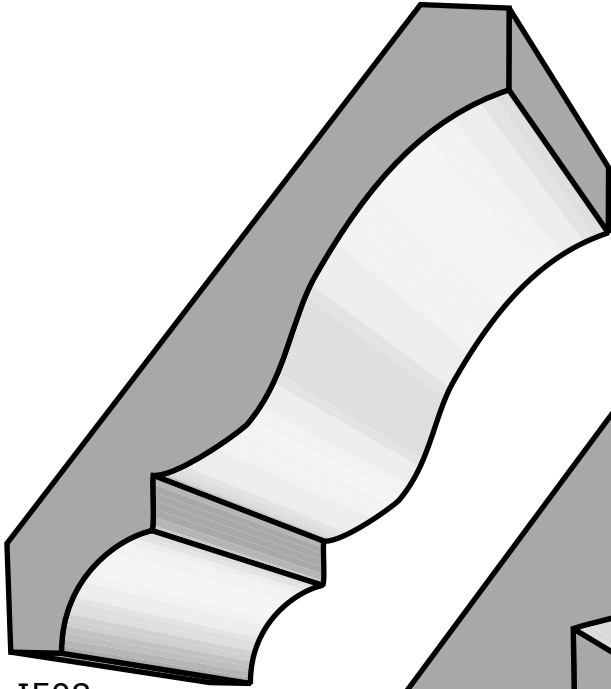
I503
11/16" x 5-1/4"
STOCKED IN PAINT GRADE

CROWN MOULDINGS

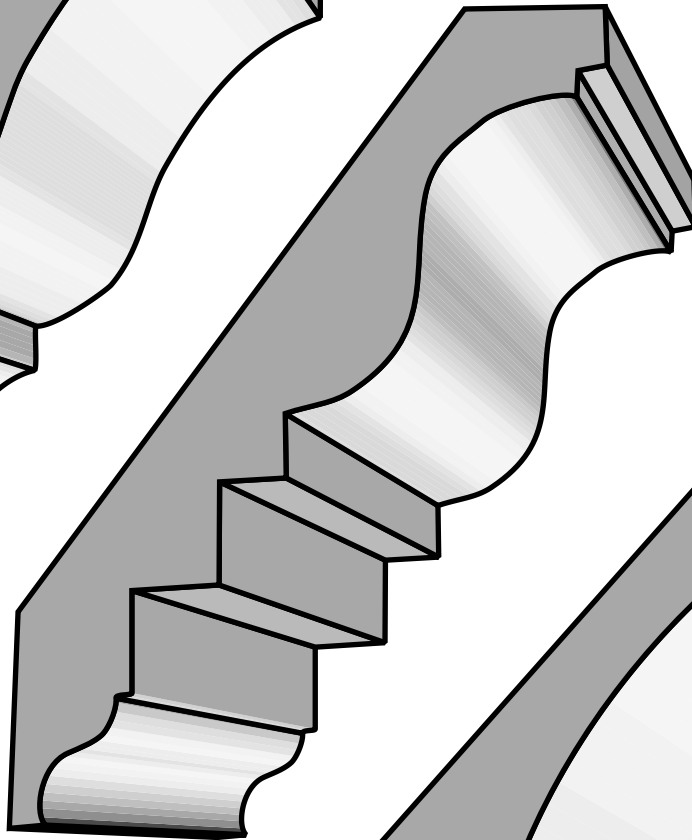
CUSTOM MOULDINGS

BY
INTERCITY LUMBER

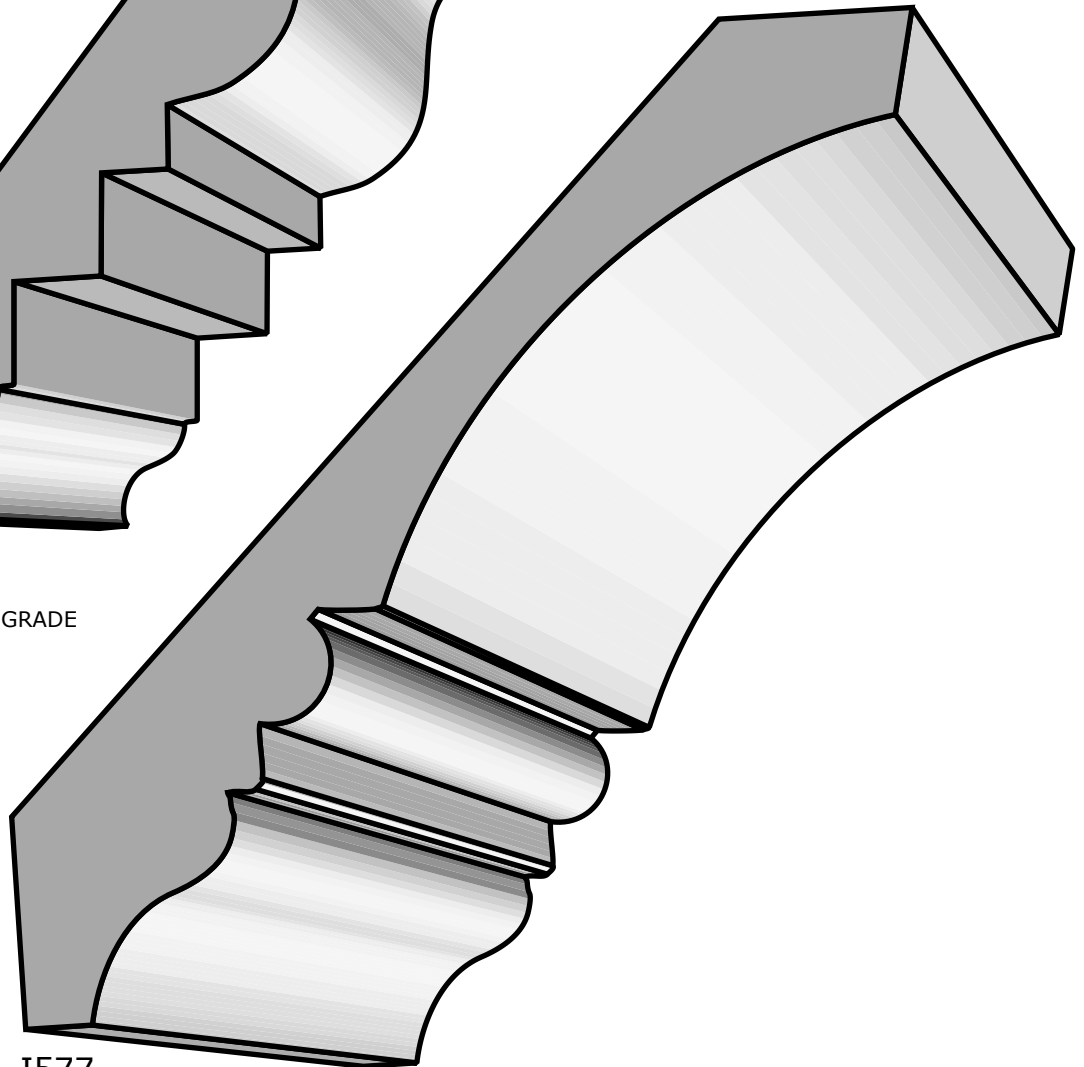
5301 Causeway Blvd.
Tampa, Fl. 33619
(813) 626-5232



I508
11/16" x 4-1/4"



I575
3/4" X 5-1/4"
STOCKED IN PAINT GRADE



I577
1" X 7"

CROWN MOULDINGS

CUSTOM MOULDINGS

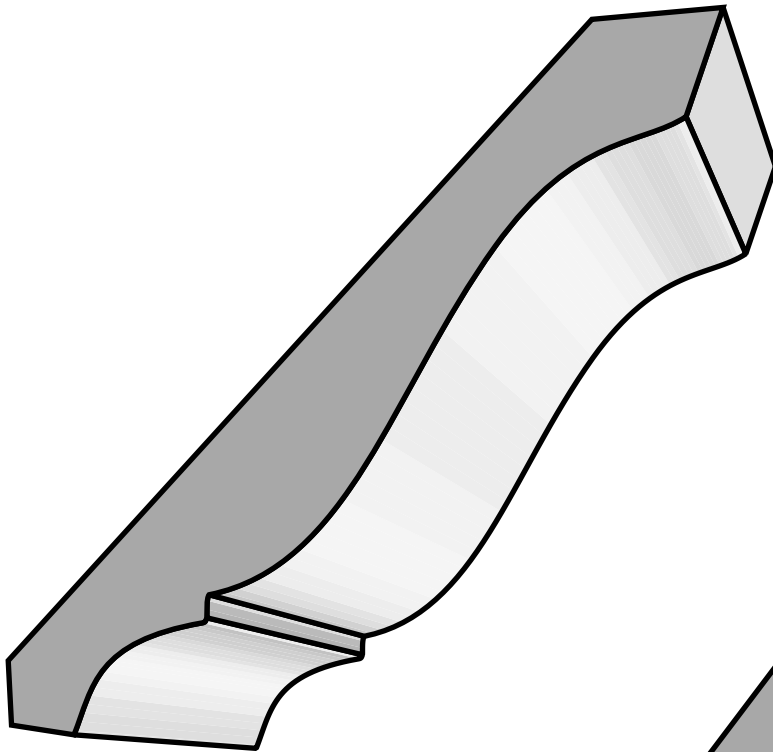
BY

INTERCITY LUMBER

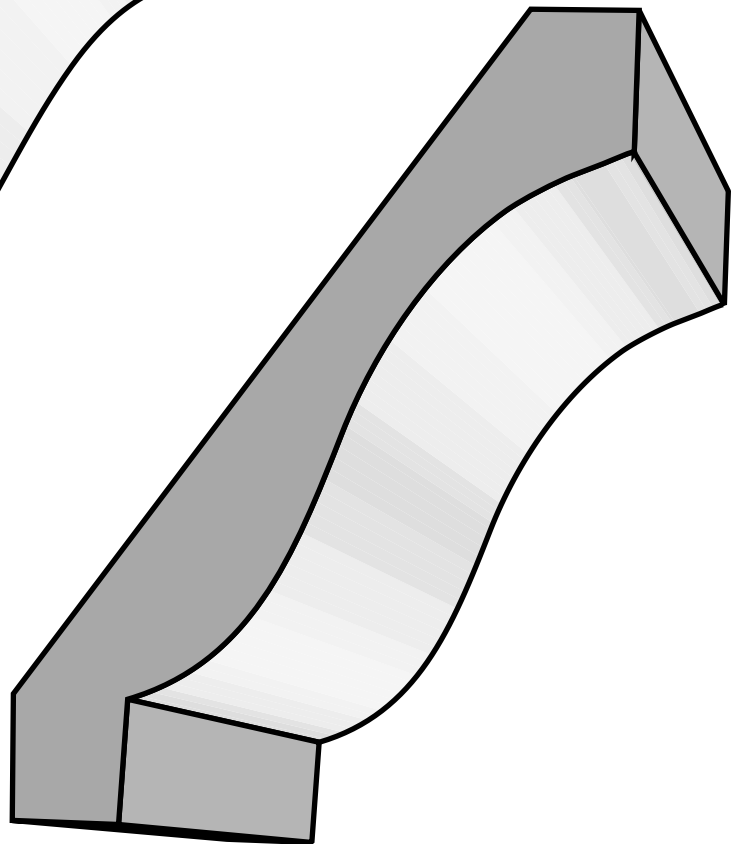
5301 Causeway Blvd.

Tampa, Fl. 33619

(813) 626-5232



I509
11/16" x 5-1/4"



I510
11/16" x 5-1/4"